

medbar®

Valve Emesis Bag (Vomit Bag)



REF 228 01



REF 228 02



CE 2292

STERILE



Intended Use

- Ergonomically designed for the safe and hygienic collection and measurement of vomit in stationary use and on the move.
- Easy to hold and simple to dispose of when finished.

Components of Product

Medbar Brand Valve Emesis Bag consists of:

- LDPE Bag,
- Valve Cardboard.

Product Features

- 1000 ml capacity.
- Graduated scale allows for the precise monitoring of fluid loss.
- Advanced valve system (no spills, no smell, and no leakage),
- Advanced anti-reflex design.
- Criteria for method and technique selection for EN 1779:1999/A1:2003.



Quality

- CE marked according to 93/42/EEC Medical Device Directive and classified as class I sterile medical device.
- Manufactured under ISO 13485 Quality Management System standard.
- Notified Body: UDEM Ltd. Şti. (2292)
- EC Certification No: M.2016.106.7000
- GMDN Code: 36258

Sterilization

- Non-Sterile.

Biocompatibility

- The products do not incorporate a substance of a human blood derivative, animal originated tissues, phthalates, medicinal product, radioactive materials and electromagnetic waves.

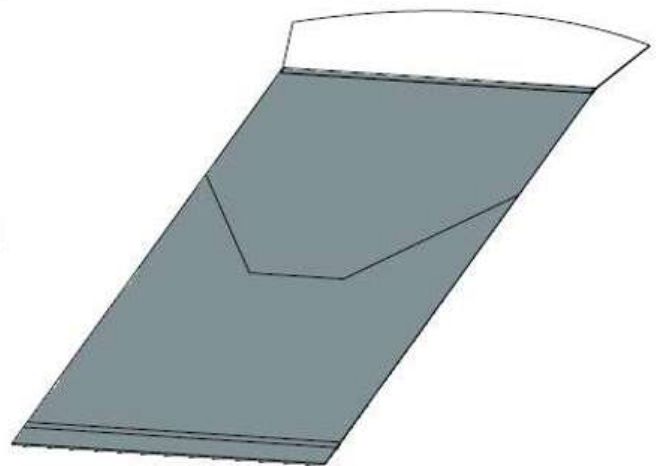
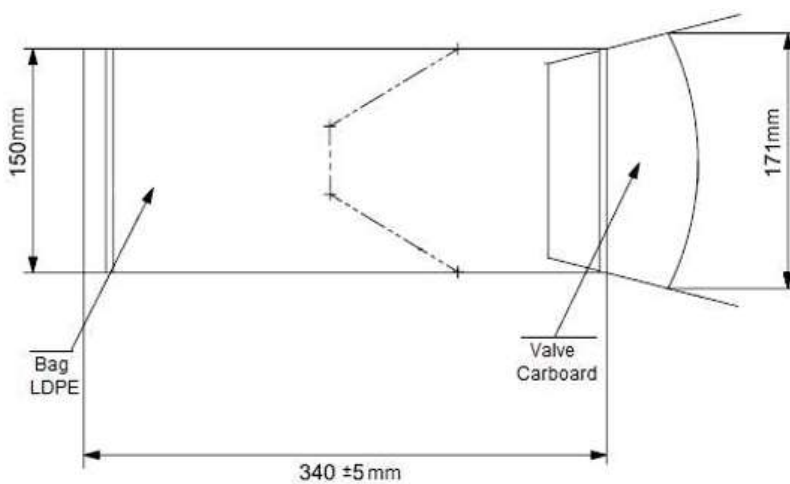
Shelf Life

- 5 years.

Valve Emesis Bag

Technical Drawing

Valve Emesis Bag



Valve Emesis Bag (Transparent)
Instructions For Use

Valve Emesis Bag



- 1 Hold as upright the bag from its edges while cone cartoon. (Figure A)
- 2 Pull the edges of the cone to the centre to form a funnel. (Figure B)
- 3 Evacuate the vomit in the opened side of bag.
- 4 After the vomit, close the bag, pull down the edges of the cone along the curved line. (Figure C)
- 5 In compulsory conditions, you can use for urine.
- 6 Store the bag this form until throwing. The interior valve closes automatically after use, preventing any risk of spills

REF NO	PRODUCT NAME	STERILIZATION	PACKAGING
228 01	Valve Emesis Bag (Transparent)	EO	100 pieces inner box
228 03	Valve Emesis Bag (White)	EO	12 Boxes in a Parcel

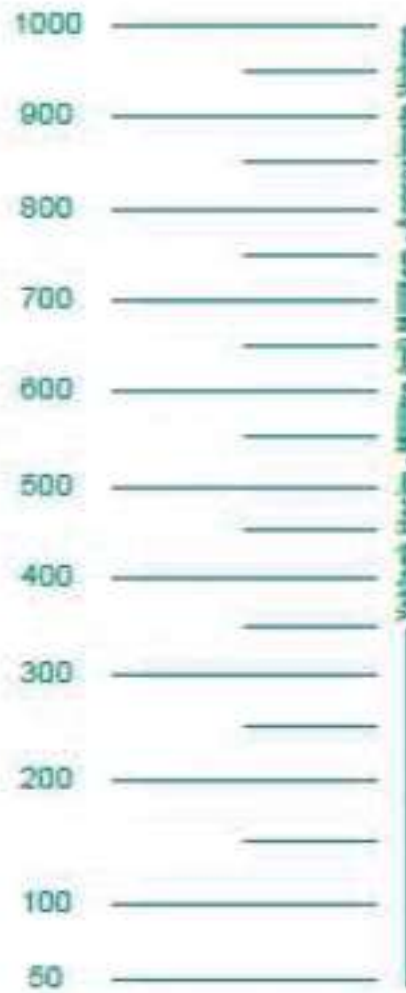
Valve Emesis Bag (Transparent)
Instructions For Use

Valve Emesis Bag Valfli Kusmuk Torbasi

CE 2292



REF 228 01



Medber Tıbbi Malzemeler Turizm San. Tic. A.Ş.
1142 Sk. No:35 Samsun Gaziantep - İzmir/Türkiye
T: +90 232 2818303 - F: +90 232 2818543
www.medber.com.tr - info@medber.com.tr

UK.GR.006-09.05.2016-Rev.No:00-Rev.Ter:-

Emesis Bag (White)

Intended Use

- Ergonomically designed for the safe and hygienic collection and measurement of vomit in stationary use and on the move. Easy to hold and simple to dispose of when finished.

Components of Product

Medbar Brand Valve Emesis Bag consists of:

- LDPE Bag,
- Strings,
- Pad.

Product Features

- 1000 ml capacity.
- Graduated scale allows for the precise monitoring of fluid loss.
- Advanced valve system (no spills, no smell, and no leakage),
- Advanced anti-reflex design.
- Criteria for method and technique selection for EN 1779:1999/A1:2003.

Quality

- CE marked according to 93/42/EEC Medical Device Directive and classified as class I sterile medical device.
- Manufactured under ISO 13485 Quality Management System standard.
- Notified Body: UDEM Ltd. Şti. (2292)
- EC Certification No: M.2016.106.7000
- GMDN Code: 36258

Sterilization

- Non-Sterile.

Biocompatibility

- The products do not incorporate a substance of a human blood derivative, animal originated tissues, phthalates, medicinal product, radioactive materials and electromagnetic waves.

Shelf Life

- 5 years.

Instructions For Use



- 1 Provide a vomit bag.
- 2 Open the mouth of the bag and place your mouth in the middle of the bag.
- 3 After vomiting, pull the ropes on both sides of the bag to close the bag.
- 4 The vomit bag absorbs 450 ml of liquid in a short time.



Medbar Tıbbi Malzemeler Turizm San. Tic. A.Ş.
1142 Sk. No:35 Sarnıç Gaziemir-İzmir/Turkey
T: +90 232 2816003 - F: +90 232 2816648
www.medbar.com.tr - info@medbar.com.tr